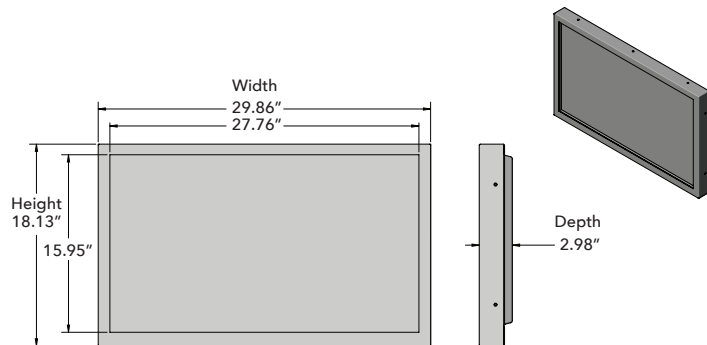


Philips 32" Infrared Touch Solution



PHILIPS

SignageSolutions



Advanced Interactive Collaboration Solution

The TSi touch overlay is an Infrared (IR) based solution, which allows for a high accuracy interactive experience. The usage of IR technology allows for virtually any input to be detected (pen/stylus, user's fingers, palms, gloved fingers). The TSi touch overlay is a full steel chassis integrated with anti-reflective tempered cover glass, which increases durability and optical clarity, while protecting the display.



Multi-Touch Screen
 True multi-touch support with up to six simultaneous touch points for all major operating systems



Easy Integration
 Unrivaled simplicity makes installation easier and faster



Ultra-Fast Response Time
 Allows for split second reactions between touch point and screen



HID Compliant
 Maximum compatibility with numerous operating systems, plug-and-play



Superior Design
 Full steel chassis combined with anti-reflective tempered glass provides additional protection to the LCD panel



Customizable
 Custom colors and silk screening available

Specifications

| | |
|--------------------------------------|---|
| Display Compatible | 32BDL032017 |
| Part Number | TSI32NPNRR6CRZZ |
| Protective Glass | 1/8" Anti-Reflective Tempered Glass |
| Frame Material | Black Powder Coated Cold Rolled Steel |
| Touch Technology | IR |
| Touch Points | 6 Point |
| Response Time | 6 - 16ms |
| Touch Accuracy | +/- 2mm (Over 99% Area) |
| Interface | Type A USB/M |
| Communication | USB 2.0 |
| Power Supply Mode | USB |
| Width/Height/Depth Including Monitor | 29.86" x 18.13" x 2.98" |
| Weight (Without Monitor) | TBD |
| Boxed Weight | TBD |
| Boxed Dimensions | 34.50" x 22.75" x 7.50" |
| OS Support | Windows, Google Chrome, Android, Mac, Linux |